

Product Specification Sheet Titan Certified
4 Tube LED Ready Fixture

High Bay Style - ONLY TO BE USED WITH NEW 4FT EXTERNAL DRIVER TUBES



No Ballast,
No Wires,
Exclusively
Designed to be:
Titan LED USA
4ft Tube READY.

5 YEAR
WARRANTY

Features:

- Made from 20 gauge steel
- Rugged build exceeds code requirements
- Titan LED external driver required
- Electrostatically applied baked white enamel
- Glossy, High reflectance white finish
- Rotating collar, Secure positioning tombstones
- Heavy duty Compact design
- Superior beam spread reflectance
- Knockouts for convenient electrical wiring
- Convenient Hang, Top of fixture S hook mounts
- Toolless access
- Suitable for damp locations
- Topside ventilated for cooling
- ARRA Qualified
- Greater than 98% recyclable
- UL Listed

Suggested Mounting Heights:

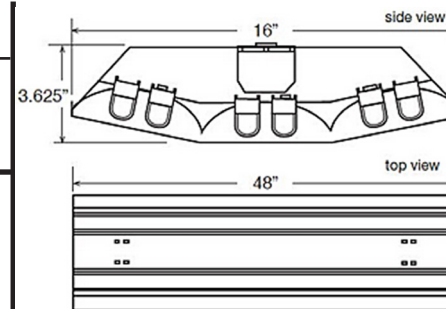
15 Feet to 40 Feet.

Suggested Applications: Retail stores, commercial facilities, ware houses, manufacturing facilities, open and stack aisle applications.

SKU #

1200-4-HB-NL

Fixture Weight: 11.4 lbs



TITAN LED 850 E Covey Ln, Suite 140, Phoenix, AZ 85024
Phone: (623) 552-7065 Fax: (805) 523-7502

Attention: All specifications are subject to change without notice.

All Images and Information are Property of Titan LED Inc. 2019 and may Only be used by permission.