

High Bay Style - ONLY TO BE USED WITH NEW 4FT EXTERNAL DRIVER TUBES



No Ballast,  
No Wires,  
Exclusivly  
Designed to be:  
Titan LED USA  
4ft Tube READY.

**5 YEAR**  
WARRANTY

**Features:**

- Made from 20 gauge steel
- Rugged build exceeds code requirements
- Titan LED external driver required
- Electrostatically applied baked white enamel
- Glossy, High reflectance white finish
- Rotating collar, Secure positioning tombstones
- Heavy duty Compact design
- Superior beam spread reflectance
- Knockouts for convenient electrical wiring
- Convenient Hang, Top of fixture S hook mounts
- Toolless access
- Suitable for damp locations
- Topside ventilated for cooling
- ARRA Qualified
- Greater than 98% recyclable
- UL Listed

**Suggested Mounting Heights:**

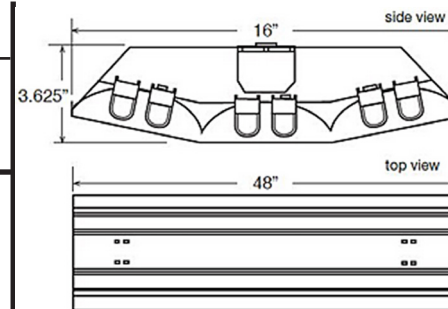
15 Feet to 40 Feet.

**Suggested Applications:** Retail stores, commercial facilities, ware houses, manufacturing facilities, open and stack aisle applications.

**SKU #**

1200-8-HB-NL

Fixture Weight: 11.4 lbs



**TITAN LED** 850 E Covey Ln, Suite 140, Phoenix, AZ 85024  
Phone: (623) 552-7065 Fax: (805) 523-7502

Attention: All specifications are subject to change without notice.

All Images and Information are Property of Titan LED Inc. 2019 and may Only be used by permission.